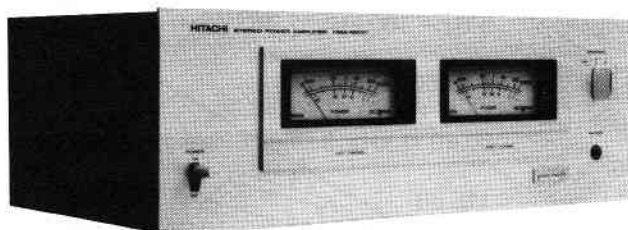


SERVICE MANUALEnglish
Deutsch
Français

No. 159

**SPECIFICATIONS**

Continuous RMS power output	50 watts per channel min. RMS, at 8 ohms from 20 Hz to 20 kHz, with no more than 0.02% total harmonic distortion. 55 w/ch + 55 w/ch (8 ohms, 1 kHz, T.H.D. 0.02%) 53 w/ch + 53 w/ch (4 ohms, 1 kHz, T.H.D. 0.02%)
Harmonic distortion (both channels driven) (at rated output)	Less than 0.02%
(at 1/2 rated output)	Less than 0.003%
Power bandwidth (IHF) (at 1/2 rated output)	5 Hz—60 kHz (8 ohms, T. H. D. 0.05%)
Frequency characteristics (at 1 W output)	DC—100 kHz ± 1 dB (DIRECT COUPLING) 5 Hz—100 kHz ± 1 dB (CONDENSER COUPLING)
Input sensitivity (impedance)	1 V (50 kohms)
Damping factor	50 (1 kHz, 8 ohms)
Channel separation	80 dB (1 kHz, 8 ohms, input shorted)
Signal-to-noise ratio (IHF, A network)	115 dB
Speaker impedance	4—16 ohms (A, B), 8—16 ohms (A+B)
Power supply	AC 120 V 60 Hz, ~ 120 V/220 V/240 V 50/60 Hz
Power consumption	220 W or 320 VA (AC 120 V) 430 W (~ 220—240 V)
Dimensions	435 (W) x 153 (H) x 306 (D) mm 17-1/8 (W) x 6-1/32 x 12-1/16 (D) in.
Weight	9.4 kg (20.7 lbs.)

Specifications and designs may be changed without notice for improvement.

STEREO POWER AMPLIFIER

February 1979

TECHNISCHE DATEN

Sinusdauerleistung (RMS)	50 W/Kanal + 50 W/Kanal (8 Ohm, 20 Hz – 20 kHz, Gesamtklirrfaktor 0,02%) 55 W/Kanal + 55 W/Kanal (8 Ohm, 1 kHz, Gesamtklirrfaktor 0,02%) 53 W/Kanal + 53 W/Kanal (4 Ohm, 1 kHz, Gesamtklirrfaktor 0,02%)
Klirrfaktor (beide Kanäle betrieben) (bei Nennleistung)	Weniger als 0,02%
(bei 1/2 Nennleistung)	Weniger als 0,003%
Leistungsbandbreite (IHF) (bei 1/2 Nennleistung)	5 Hz – 60 kHz (8 Ohm, Gesamtklirrfaktor 0,05%)
Frequenzgang (bei 1 Watt)	Gleichstrom–100 kHz ± 1 dB (Direktkopplung) 5 Hz – 100 kHz ± 1 dB (Kapazitive Kopplung)
Eingangsempfindlichkeit (Impedanz)	1 V (50 kOhm)
Dämpfungsfaktor	50 (1 kHz, 8 Ohm)
Kanaltrennung	80 dB (1 kHz, 8 Ohm, Eingang kurzgeschlossen)
Geräuschspannungsabstand (IHF, A-Netz)	115 dB
Lautsprecherimpedanz	4 – 16 Ohm (A, B), 8 – 16 Ohm (A + B)
Netzspannung	Wechselstrom 120 V 60Hz, ~ 120 V/220 V/240 V 50/60 Hz
Leistungsaufnahme	220 W oder 320 VA (120 V Wechselstrom) 430 W (~220 – 240 V)
Abmessungen	435 (B) x 153 (H) x 306 (T) mm
Gewicht	9,4 kg

Änderungen der technischen Daten bleiben im Sinne der ständigen Verbesserung vorbehalten.

SPECIFICATIONS

Puissance effective continue	50 w/ch + 50 w/ch (8 ohms, 20 Hz – 20 kHz, D.H.T. 0,02%) 55 w/ch + 55 w/ch (8 ohms, 1 kHz, D.H.T. 0,02%) 53 w/ch + 53 w/ch (4 ohms, 1 kHz, D.H.T. 0,02%)
Distorsion harmonique (avec les deux canaux) (à puissance de sortie nominale)	Inférieure à 0,02%
(à la moitié de la puissance de sortie nominale)	Inférieure à 0,003%
Bande passante (IHF) (à la moitié de la puissance de sortie nominale)	5 Hz – 60 kHz (8 ohms, D.H.T. 0,05%)
Caractéristiques de fréquence (à puissance de sortie 1 W)	CC–100 kHz ± 1 dB (COUPLAGE-DIRECT) 5 Hz–100 kHz ± 1 dB (COUPLAGE PAR CONDENSATEUR)
Sensibilité d'entrée (impédance)	1 V (50 kohms)
Coefficient d'amortissement	50 (1 kHz, 8 ohms)
Séparation de canal	80 dB (1 kHz, 8 ohms, entrée court circuitée)
Rapport signal signal/bruit (IHF, Réseau A)	115 dB
Impédance d'enceinte	4–16 ohms (A,B), 8–16 ohms (A+B)
Alimentation	CA 120 V 60 Hz, ~ 120 V/220 V/240 V 50/60 Hz
Consommation d'énergie	220 W ou 320 VA (CA 120 V) 430 W (~220 – 240 V)
Dimensions	435 (L) x 153 (H) x 306 (P) mm
Poids	9,4 kg

Les caractéristiques techniques et la présentation peuvent être modifiées sans préavis en raison d'améliorations.

DISASSEMBLY AND REPLACEMENT · ZERLEGUNG UND AUSTAUSCH · DEMONTAGE ET REMONTAGE

- Removing the cover, escutcheon ass'y
- Ausbau der Abdeckung, der Schildanbringung
- Déposer le supérieur, le cache-entrée

The numbers in the circle marks in the diagram correspond to those in the replacement parts list.

Die Ziffern in den Kreismarkierungen des Diagramms entsprechen denen in der Ersatzteilliste.

Les numéros encerclés sur le schéma correspondent à ceux de la liste de pièces de remplacement.

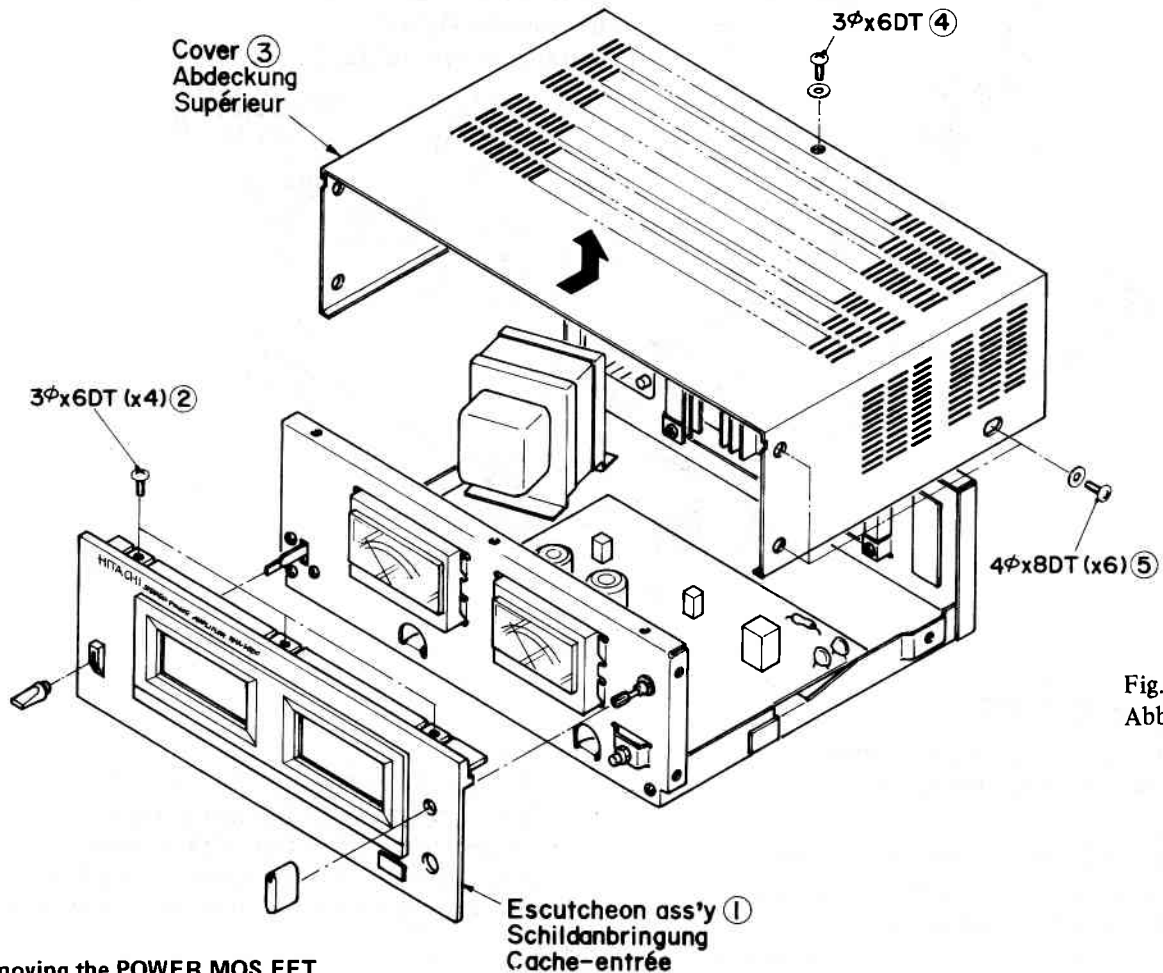


Fig. 1
Abb. 1

- Removing the POWER MOS FET
- Ausbau der Leistungs – MOS – FET
- Déposer le transistor à effet de champ

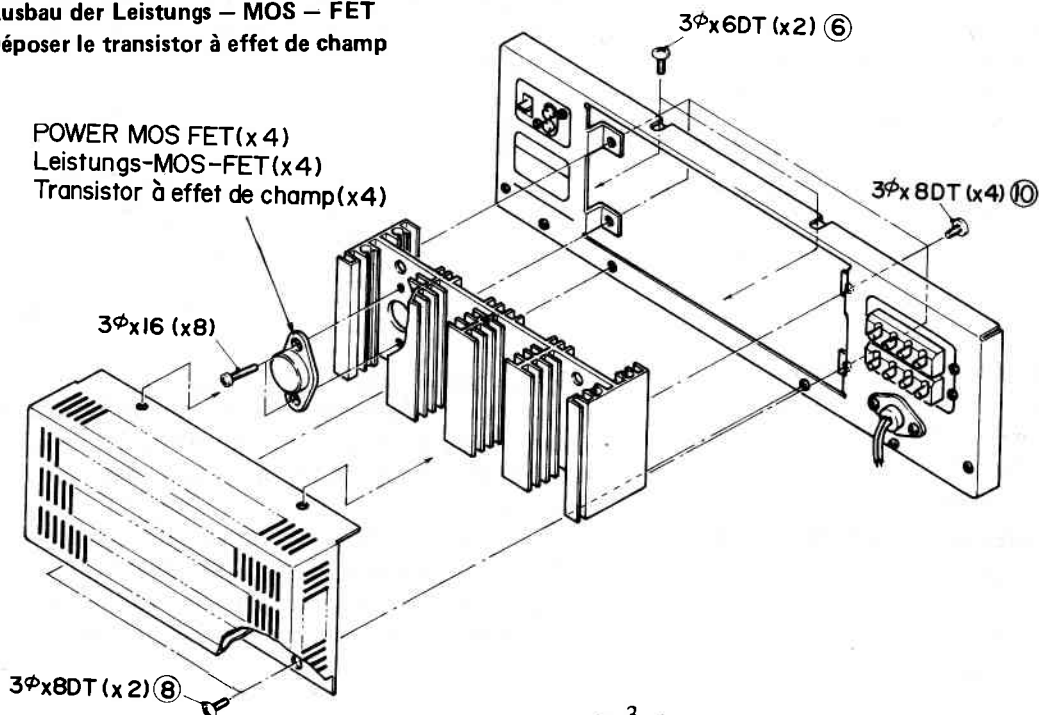


Fig. 2
Abb. 2

- Removing the printed wiring boards
- Ausbau der Leiterplatten
- Déposer des plaquettes à circuit imprimé

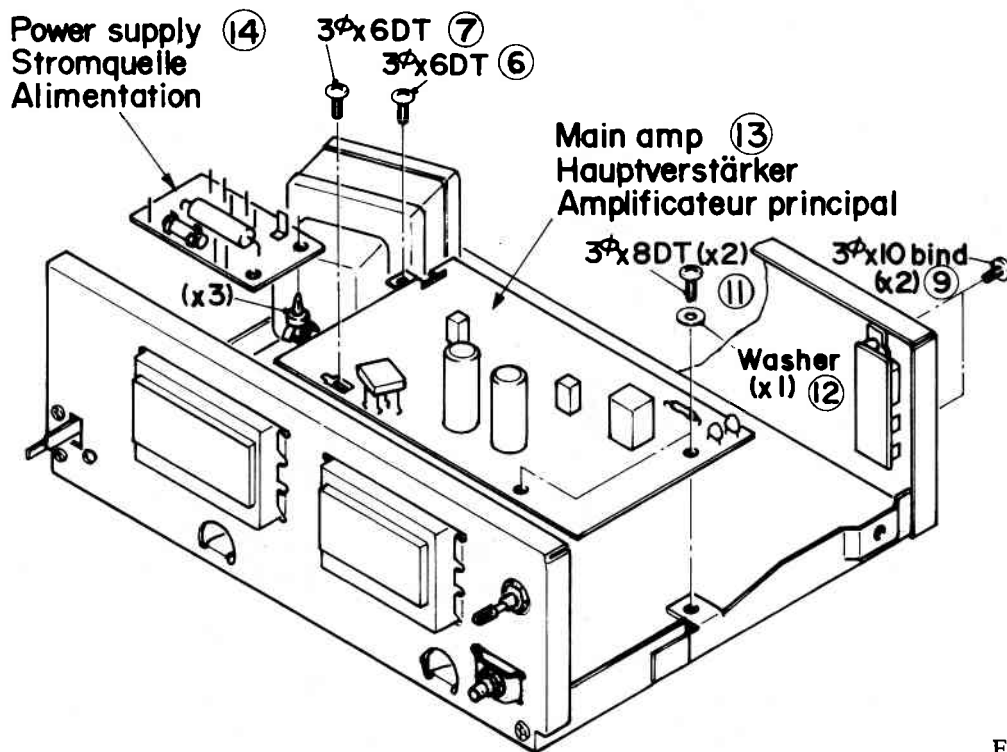


Fig. 3
Abb. 3

SERVICE POINTS

- As this unit uses a large capacity power supply, be careful of the following points when checking and repairing.

- (1) To check and repair the printed wiring boards, be sure to cut off the power and pull out the power cord. Discharge the power capacitors by touching it with a resistor of approx. 10 ohms, 5 watts capacity at the positions C803 and C804. When discharging through the chassis ground, there is danger that R1 or R2 may be open and noise becomes mixed, in this case, so be sure to discharge between the ⊕ and ⊖ terminals of the electrolytic capacitor.
- (2) Do not touch the terminals of nearby parts with a DC voltmeter when connecting it for adjusting the idle current as malfunction may result. Handle the DC voltmeter carefully. Wind insulating tape around the screwdriver.

Parts installation method

Great care is taken in installing parts to improve the safety of products. For example, parts are covered with tubes, or they are kept away from the printed wiring board surface. Be sure to maintain the previous conditions after replacing parts for repair.

- **DIRECT COUPLING/CONDENSER COUPLING switch**
Since this is a DC amplifier, when direct current leakage occurs in equipment connected to the input, it will be amplified and a DC bias is placed to the speaker causing deterioration of tone quality and generation of distortion : this switch prevents this.

tion : this switch prevents this.

This also prevents the flow of a large DC component because of trouble in the control amplifier which would damage the speaker. If there is DC leakage in the input, a noise ("puu ...") is heard when turning this switch, so change to CONDENSER COUPLING at that time.

• R1

The ground of the signal line and the chassis ground of the unit are connected using R1 (47 ohms) as shown in Fig. 4.

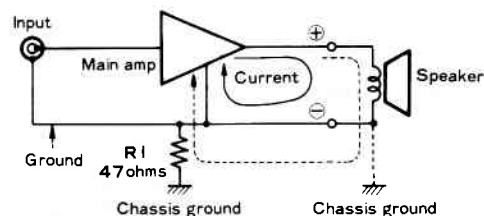


Fig. 4

The is because the POWER MOS FET is in the source case, and in order to maintain the capacity between FET and the radiation fan, stability deteriorates by this, so the FET is isolated from the chassis using a resistor of 47 ohms.

Accordingly, be careful not to cause an output by touching the ⊖ lead wire of the speaker to the chassis or discharge the electrolytic capacitor during servicing, since this may cut the lead wire of R1 or R2 and introduce noise.

● **Precautions on troubleshooting and replacing parts**

- (1) When the stabilized power circuit and the peripheral parts of Q701 and Q702 (D706, R752, R753 and their peripheral parts) are replaced, the adjustment of the input/output DC may drift, so be sure to check the input/output/ DC voltage.
- (2) Since E grade of hFE is specially classified into E1 - E3 for Q701 and Q702, replace them matching the proper grade with the proper channel.
- (3) Since the socket for transistor use is used for the socket of the POWER MOS FET, polarity is indicated as B, C, E. Match it to the indications shown in Fig. 5 when replacing the POWER MOS FET and when checking.

● **Cautions on checking the voltage**

- (1) Oscillations may occur depending on the voltmeter

used when checking the gate voltage at FET 701 L/R. If this happens, measure the collector voltage of Q704 L/R as it is at the same potential as FET 701 L/R.

- (2) The protection circuit may operate when checking the collector voltage of Q706 L/R and the base voltage of Q707 L/R. In this case, change the measurement position and measure the voltage between the respective electrodes.

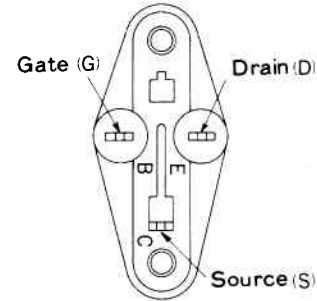


Fig. 5

ADJUSTMENT

● **Adjusting idle current**

Perform adjustment with no signal and with the speaker switch turned OFF.

Remove the wiring (a), (b) shown in Fig. 6 and connect the \oplus side of the DC ammeter to the drain side of the FET and the \ominus side to the main amp. PWB. Next, adjust R751L and R751R on the main amp. PWB. so that they are both 150mA.

Attached the wiring (a), (b) as they were, after adjustment is completed.

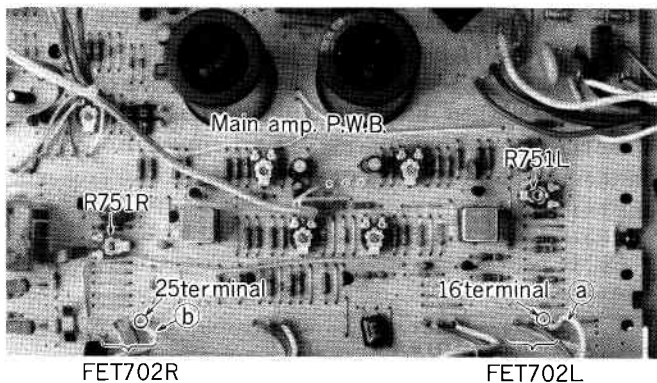


Fig. 6

● **Adjusting the input DC**

Insert the shorting pin to the input, set the DIRECT COUPLING/CONDENSER COUPLING switch to CONDENSER COUPLING, turn the speaker selector switch ON, and turn the power switch ON with no load for more than about 8 minutes before performing the adjustment.

To adjust Lch, connect the \oplus side of the DC ammeter to 13 terminal of the main amp. PWB, and the \ominus side to 14 terminal.

To adjust the Rch, connect the \oplus side to 15 terminal, and the \ominus side to 14 terminal. Then perform the adjustment using R752L or R752R respectively for a zero reading (within $\pm 0.5V$) with the 3mV range. (Fig. 7)

● **Adjusting the output DC**

Be sure to perform this adjustment after the input DC adjustment is completed.

Insert the shorting pin in the input, set the DIRECT COUPLING/CONDENSER COUPLING switch to CONDENSER COUPLING, turn the speaker selector switch ON, and perform the adjustment with no load.

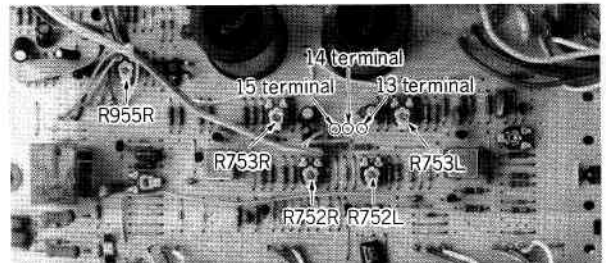


Fig. 7

Perform adjustment using R753L or R753R after connecting the DC ammeter to the \oplus and \ominus sides of the speaker A terminals of Lch or Rch for a zero reading (within +5mV), with the 100mV range. (Fig. 7)

● **Adjusting the meter**

(1) **Adjusting the meter sensitivity**

Adjust sensitivity of the meter after zero adjustment is completed. With no load applied to the speaker terminals, connect the audio oscillator to the input terminal (INPUT) to feed in a signal of 1kHz.

In this case, adjust the input so that the Lch pointer indicates 1W.

Then adjust R955R so that the Rch pointer also indicates 1W (Fig. 7).

CHECKING THE OPERATION OF THE PROTECTION CIRCUIT

When the output circuit is repaired by replacing the power MOS FET, etc., perform an operation check on the ASO (Area of Safe Operation) detection circuit and the speaker protection circuit.

1. Operation check of the ASO detection circuit for the power MOS FET

Connect the audio oscillator to the INPUT terminals with the speaker terminals unloaded (speaker : disconnect). Set the frequency of the audio oscillator at 1kHz and adjust the level of the input signal so that the voltage at the speaker terminals is approx. 5V rms.

Under these conditions, short-circuit the speaker terminals of the channel to which the input signal is applied using a lead wire, etc. If this short-circuit makes the ASO detection circuit operate, no output appears at the speaker terminals even if the lead wire used for short-circuiting is removed.

Next, turn off the power switch and, after approx. 10 sec., turn the power switch on again. When output comes out of the speaker terminals, this indicates that the ASO detection circuit is operating normally.

2. Operation check of the speaker protection circuit

Make sure that the relay operates (a click sound is heard) approx. 4 seconds after the power switch is turned on with the speaker terminals unloaded (speaker: disconnect).

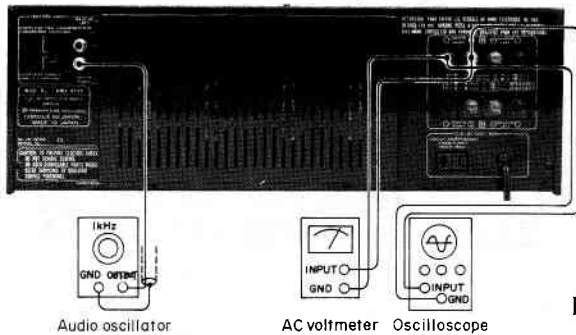


Fig. 8

Next, when a resistor of approx. 10 kohms and 2 dry cells (1.5V) are connected in series to R902 on the audio printed wiring board and the jumper wire ②1, the relay turns off within 1 sec. When the dry cells are taken away, the relay operates again. Next, change the polarities of the dry cell and carry out the above-mentioned operation to check the operation of the relay. If this operation makes the relay activate, this indicates that the speaker protection circuit is operating normally. Moreover, pay attention during this operation check so that nearby parts are not short-circuited.

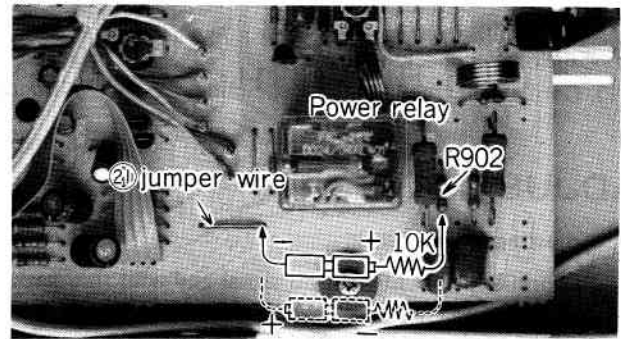


Fig. 9

Method of checking the POWER MOS FET

Remove the FET.

In the case of an N channel FET, it is normal : When touching the black test probe of the tester (ohm range) to the drain of the FET, and the red test probe to the source, after applying the black test probe to the gate and the red test probe to the source at the same time, a current flows. And next, when brushing both the gate and source simultaneously with your hand, the current stops.

In the case of a P channel, the red and black test probes of the tester are applied in reverse.

• Phenomena and remedy when the protection circuit operates

Type of protection circuit	Phenomenon when the protection circuit operates	Cause	Remedy
1 Muting circuit	No sound comes out about 4 sec. after the power switch is turned on.	—	Normal
2 Protection circuit of the power MOS FET (ASO protection circuit)	1. No sound comes out. 2. When the power switch is turned ON the relay becomes ON, then OFF when the signal is applied.	Short circuit of speaker output terminal	Turn off the power switch, check whether the speaker terminal is short circuited or not, and turn ON again.
3 Speaker protection circuit (DC voltage detection/protection circuit)	1. No sound comes out. 2. Neutral point voltage is more than $\pm 2V$. 3. After the power switch is turned ON, relay doesn't turn ON.	DC leakage of control amp., power amp. faulty, etc.	1. In case the input select switch has been set to DIRECT COUPLING: If the fault is corrected by setting it to CONDENSER COUPLING, control amp. DC is leaking so repair the control amp. 2. In case the input select switch has been set to CONDENSER COUPLING: Repair faulty parts in power amp.

DESCRIPTION OF THE NEW CIRCUIT

● Protection circuit

IC HA12002, an exclusive protection circuit, is used to protect the speaker and power amplifier.

(1) Muting circuit

This keeps the relay off for approx. 4 sec after the power switch has been turned on to reduce shock sound during ON/OFF operation of the power switch. This is determined by the rise time constant of the voltage applied to pin ⑧ of IC901 and is set by R907, R908, and C905.

(2) Protection of the speaker (DC voltage detection/protection circuit)

When a DC voltage appears at the neutral point of the output, a relay turns off when approx. 1.3V is applied to pin ④ of IC901 via R901, R902 R903 is the sensitivity adjustment resistor.

(3) Protection of Power MOS FET (ASO protection circuit)

When overcurrent flows to the output, the voltage VGS between the gate and source of FET701 increases, Q706 and Q707 turn ON, the voltage is applied to pin ⑥ of IC901 and the relay is turned off.

FEATURES

HITACHI have developed a complementary MOS FET which displays superb characteristics as a power amplification device for audio applications. Since both the N-channel and P-channel complementary characteristics of this POWER MOS FET are top-class, this model features a simple 3-stage circuit configuration including the power amplification stage. This is a design which makes for a low distortion across a wide band and which is devoted to engineering only the best in sound quality.

1. Design oriented toward low distortion across wide band for the best in sound quality

The POWER MOS FET features a high input impedance and it is a voltage-driven device. These two merits provide a high power gain and a simply designed circuit configuration. This is why there is minimal noise or phase drift which has an adverse affect on the sound quality, and also why there is no deterioration in the distortion factor. In addition, the frequency response is excellent, the switching speed is fast, stable operation is ensured even in the high frequencies and notch distortion is dramatically reduced. The design makes for a low distortion factor across a wide band with a continuous power output of 50 watts per channel, min., at 8 ohms (20 Hz–20 kHz) with no more than 0.02% total harmonic distortion.

2. DC amplifier featuring accurate waveform power transmission

The capacitors have been eliminated from the NFB loop and even the input capacitors have been put aside in this DC amplifier to effect a great improvement in the low-frequency-range phase characteristics. The first stage employs low noise transistors with a high withstanding voltage and well-matched pairing characteristics for a reduction in center point drift. Furthermore, there is a DIRECT COUPLING/CONDENSER COUPLING switch which is pro-

vided to safeguard the speakers from damage caused by DC component leakage from the externally connected equipment (such as the control amplifier).

3. Connection facilities for two pairs of speakers

This amplifier can accommodate two pairs of speakers, and by selecting them with the speakers switch, you can compare the sound reproduced by each system.

You can also listen to the sound from one speaker system in one room and from the other speaker system in another room.

4. High-reliability protection circuitry

In order to protect the POWER MOS FET, a current limiter circuit which relies on the detection of the area of safe operation and DC voltage detection circuit have been installed. This circuitry features high reliability which enables it to cope with accidents.

5. Large-sized power meters (peak meters)

The model comes with large-sized power meters which enable the balance between the left and right channels and also the output level to be checked. Their size and performance are what you would expect to find in a POWER MOS FET amplifier. The power meters adopt a logarithmic compression circuit for RMS value displays of the detected peak values. This is why they can track peak signals and enable the displayed values to be read out directly.

Deutsch

WARTUNGSPUNKTE

- **Da dieses Gerät mit einer Stromversorgung hoher Kapazität ausgerüstet ist, müssen bei Prüfungen bzw. Reparaturen die folgenden Punkte beachtet werden.**
- (1) Für das Prüfen bzw. Reparieren der Schaltplatine unbedingt die Stromversorgung abschalten und das Netzkabel von der Wandsteckdose abziehen.
Die Leistungskondensatoren entladen, indem die Klemmen an den Punkten C803 und C804 mit einem Widerstand von etwa 10 Ohm (5W) berührt werden. Wenn die Entladung über die Erdung des Chassis erfolgt, besteht die Gefahr, daß R1 oder R2 geöffnet wird und Rauschen auftritt; das Entladen ist daher zwischen den positiven \oplus und negativen \ominus Klemmen des Elektrolytkondensators vorzunehmen.
- (2) Darauf achten, daß die Klemmen benachbarter Teile nicht mit den Anschlüssen des Gleichspannungsmessers berührt werden, wenn dieser für die Messung des Blindstromes angeschlossen wird, da es ansonsten zu Störungen kommen könnte. Den Gleichspannungsmesser vorsichtig behandeln. Isolationsband gegebenenfalls um den Schraubenzieher wickeln.
- **Einbau der Teile**
Bei der Montage des Gerätes wurde besonderes Augenmerk auf Betriebssicherheit gelegt, so daß alle Teile besonders sorgfältig eingebaut wurden. Zum Beispiel wurden bestimmte Leiter mit Kunststoffschläuchen überzogen oder andere in sicherem Abstand von der Schaltplatine angeordnet. Beim Austauschen bzw. Reapieren von Teilen ist daher darauf zu achten, daß die ursprünglichen Sicherheitsmaßnahmen wiederum eingehalten werden.
- **Gleichstrom/Tiefenfilter-Schalter**
Da es sich bei diesem Gerät um einen Gleichstrom-Verstärker handelt, müssen die Lautsprecher vor unbeabsichtigten Gleichstrompotentialen geschützt werden, die durch andere Bausteine eingeführt werden und die Lautsprecher-Treiber zerstören könnten. Mit Hilfe dieses Schalters können solche ungewünschten Gleichstromkomponenten ausgesiebt werden. Falls es aufgrund eines Gleichstrompotentials zu Störgeräuschen in den Lautsprecherboxen kommt, diesen Schalter sofort auf Position CONDENSER COUPLING umlegen.
- **R1**
Die Erdleitung der Signalleitung und die Erdung des Chassis sind mit Hilfe von R1 (47 Ohm) miteinander verbunden wie es in Abb. 4 gezeigt ist.
Der Grund dafür ist der Leistungs-MOS-FET; um nämlich die Kapazität zwischen dem FET und den Kühlrippen zu erhalten muß der FET gegenüber dem Chassis mit Hilfe eines 47 Ohm Widerstandes isoliert sein. Daher unbedingt darauf achten, daß der negative \ominus Leiter des Lautsprechers zum Chassis nicht berührt wird, da es ansonsten zu einer Entladung des Elektrolytkondensators kommen könnte, wodurch der Leiter vor

Français

POINTS DE SERVICE

- **Etant donné que cet appareil emploie une importante capacité d'énergie, faire attention aux points suivants au moment d'effectuer des contrôles et des réparations.**
- (1) Pour contrôler et vérifier les plaques à circuit imprimé, ne pas oublier de couper l'alimentation et de débrancher le cordon secteur.
Décharger les condensateurs de puissance en les touchant avec une résistance d'environ 10 ohms, 5 watts de capacité aux points C803 et C804.
Quand une décharge est effectuée par la terre du châssis, on peut craindre que le fil de R1 ou R2 provoquent un circuit ouvert et qu'un bruit vienne se mélanger; si le cas se produit, décharger entre les bornes positive \oplus et négative \ominus du condensateur électrolytique.
- (2) Ne pas toucher les bornes proches des condensateurs avec les sondes d'un voltmètre à courant continu au moment du branchement pour le réglage du courant déwatté car ceci peut provoquer des détériorations. Manipuler délicatement le voltmètre à courant continu. Isoler la tige du tournevis.
- **Procédé de montage des pièces**
Prendre soin au montage des pièces pour assurer une sécurité intégrale à l'appareil. Par exemple, les pièces qui sont à recouvrir de gaines ou à éloigner des plaquettes à circuit imprimé. Assurer des conditions optima après avoir procédé au remplacement de pièces.
- **Sélecteur DIRECT COUPLING/CONDENSER COUPLING**
Etant donné qu'il s'agit là d'un amplificateur à courant continu quand une fuite de courant continu se produit dans l'équipement branché à l'entrée, elle sera amplifiée et une polarisation à courant continu se produit à l'enceinte ce qui détériore la qualité sonore et génère des distorsions; ce sélecteur est prévu pour éviter que cela se produise.
Il évite également le passage d'un important composant à courant continu car la panne dans l'amplificateur de commande risque d'endommager l'enceinte. Si une fuite à courant continu se produit dans l'entrée, un bruit caractéristique ("puu . . .") est audible quand le sélecteur est réglé sur la position CONDENSER COUPLING au moment où cela se produit.
- **R1**
La terre de la ligne de signal et la terre du châssis de l'appareil sont connectées à l'aide R1 (47 ohms) comme le montre l'illustration 4.
Ceci est dû au fait que le MOS FET d'alimentation est la source et pour maintenir une capacité suffisante entre le transistor à effet de champ et le ventilateur de rayonnement, la stabilité étant détruite par ce cas, le FET est ainsi isolé du châssis en employant une résistance de 47 ohms.
Par conséquent, faire attention de ne pas provoquer une

sortie en touchant le fil de jonction négatif \ominus de R1 oder R2 unterbrochen werden könnte und Rauschstörungen auftreten würden.

• **Vorsichtsmaßnahmen bei der fehlersuche bzw. beim Auswechseln von Teilen.**

- (1) Wenn die stabilisierte Stromversorgung und die dazugehörigen Teile von Q701 und Q702 (D706, R752, R753 und ähnliche Teile) ersetzt werden, könnte die Einstellung der Eingangs/Ausgangs-Gleichspannung ausdriften, so daß die Eingangs/Ausgangs-Gleichspannung kontrolliert werden muß.
- (2) Da für hFE in (E)-Klassen klassifiziert ist und für Q701 und Q702 eine Klasse von (E1) – (E3) vorgeschrieben ist, unbedingt beim Austausch auf die richtige Klasse für den entsprechenden Kanal achten.
- (3) Da der Stecker für den Transistor auch für den Leistungs-MOS-FET verwendet wird, wird die Polarität durch B,C und E angegeben. Diese gemäß Angaben in Abb. 5 anpassen, wenn der Leistungs-MOS-FET erneuert bzw. geprüft wird.

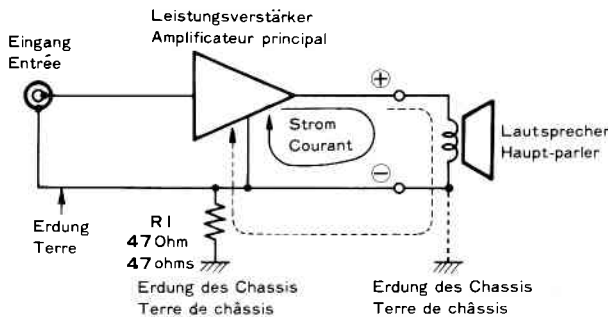


Abb. 4 Fig. 4

• **Vorsichtsmaßnahmen bei der Spannungsprüfung**

- (1) Abhängig von der Gleichspannungsmesser kann es zu Schwebungen kommen, wenn die Gatterspannung des FET701 L/R geprüft wird. Falls dies zutrifft, die Kollektorspannung von Q704 L/R messen, da diese das gleiche Potential aufweist.
- (2) Die Schutzschaltung könnte ansprechen, wenn die Kollektorspannung von Q706 L/R und die Basisspannung von Q707 L/R geprüft werden. In einem solchen Fall ist die Meßposition zu ändern und die Spannung zwischen den entsprechenden Elektroden zu messen.

sortie en touchant le fil de jonction négatif \ominus de l'enceinte au châssis ou de décharger le condensateur électrolytique au moment d'une réparation car ceci risque de mettre le fil de jonction de R1 ou R2 hors fonction et faciliter l'introduction d'un bruit.

• **Précautions concernant la détection des pannes et les pièces de remplacement.**

- (1) Dès que le circuit d'alimentation stabilisé et les pièces périphériques de Q701 et Q702 (D706, R752, R753 et les pièces périphériques) sont remplacées, le réglage de l'entrée et la sortie à courant continu peut se trouver décalé: il convient donc de contrôler la tension de l'entrée et de la sortie à courant continu.
- (2) Etant donné que la classe (E) de hFE est spécialement classifiée en (E1) à (E3) pour Q701 et Q702, les remplacer en équilibrant la classe qui correspond à chaque canal.
- (3) Etant donné que la prise du transistor utilisé sert également pour le transistor MOS FET la polarité est égale à B,C,E. L'équilibrer en fonction des données de l'illustration 5 quand le transistor MOS FET est remplacer et au moment d'un contrôle.

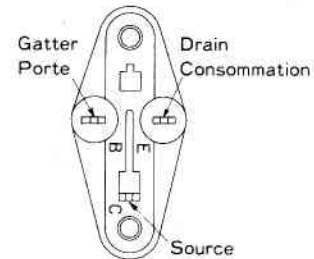


Abb. 5 Fig. 5

• **Précautions à prendre pour contrôler la tension**

- (1) Des oscillations risquent de se produire en fonction de l'ampèremètre utilisée quand la tension de porte au transistor à effet de champ 701 L/R est contrôlée. Si cela se produit, mesurer la tension de collecteur de Q704 L/R car elle est égale au même potentiel.
- (2) Le circuit de protection risque de se déclencher quand la tension de collecteur de Q706 L/R et la tension de base de Q707 L/R sont contrôlées. Si le cas se produit, modifier la position de contrôle et mesurer la tension entre les électrodes respectives.

Deutsch

● Einstellen des Leerlaufstromes

Diese Einstellung bei auf Position OFF gestelltem Lautsprecherschalter und ohne Signal vornehmen.

Die in Abb. 6 gezeigten Drähte (a) und (b) abtrennen und die positive (+) Seite eines Gleichstrom-Amperemeters an der Drain-Seite des FET und die negative (-) Seite an die Hauptverstärker-Leiterplatte anschließen. Danach R751L und R751R auf der Hauptverstärker-Leiterplatte abgleichen, so daß beide einen Wert von 150 mA aufweisen. Nach Beendigung der Einstellung sind die Drähte (a) und (b) wieder anzuschließen.

● Einstellung der Eingangs-Gleichspannung

Den Kurzschlußstecker an die Eingangsbuchsen anstecken, den Gleichstrom/Tiefenfilter-Schalter auf Position CONDENSER COUPLING stellen, den Lautsprecherschalter einschalten und den Netzschalter betätigen; danach das Gerät ohne-Last für etwa acht Minuten aufwärmen lassen, bevor die Prüfung durchgeführt wird.

Um den linken Kanal einzustellen, die positive Probe (+) eines Gleichstrom-Amperemeters an die 13 Klemme der Printplatine des Hauptverstärkers und die negative (-) Probe an die 14-Klemme anschließen.

Für die Einstellung des rechten Kanals, ist die positive Probe (+) an Klemme 15 und die negative (-) Probe an die 14-Klemme anzuschließen. Danach R752L bzw. R752R so abgleichen, daß eine Spannung von Null (innerhalb von $\pm 0,5$ mV) angezeigt wird, wenn der 3 mV-Bereich verwendet wird. (Abb. 7)

● Einstellung der Ausgangsgleichspannung

Diesen Abgleich vornehmen, nachdem die Eingangs-Gleichspannung eingestellt wurde.

Den Kurzschlußstecker an die Eingänge anschließen den Gleichstrom/Tiefenfilter-Schalter auf Position CONDENSER COUPLING stellen, den Lautsprecherschalter einschalten und die Einstellung ohne Last vornehmen.

Die positive (+) und negative (-) Probe des Gleichstrom-Amperemeters an die Lautsprecherklemmen des linken oder rechten Kanals anschließen und R753L bzw. R753R so abgleichen, daß die angezeigte Spannung Null (innerhalb von ± 5 mV) beträgt, wenn der 100 mV-Bereich verwendet wird. (Abb. 7)

● Einstellung des Anzeigeinstrumentes

(1) Einstellung der Instrumenten-Empfindlichkeit

Die Empfindlichkeit ist einzustellen, nachdem der Nullabgleich durchgeführt wurde. Keine Last an die Lautsprecherklemmen anlegen und einen Tonfrequenz-generator an die Eingänge (INPUT 7) anschließen, um ein 1 kHz Signal einzuspeisen. In diesem Fall ist der

Français

● Réglage de courant déwatté

Effectuer le réglage après avoir déposé le couvercle blindé de la sans signal et après avoir réglé le sélecteur d'enceintes sur OFF. Défaire les branchements (a), (b) indiqués sur la figure 6 et raccorder le pôle positif (+) d'un ampèremètre à courant continu du pôle sous intensité du transistor à effet de champ et brancher le pôle négatif (-) à la plaquette à circuits imprimés de l'ampli principal. Ajuster ensuite R751L et R751R de la plaquette à circuits imprimés de l'ampli principal pour que les deux aient une valeur de 150mA.

Effectuer les branchements (a), (b) comme auparavant dès que le réglage est terminé.

● Réglage de l'entrée à courant continu

Introduire la fiche de couplage dans la prise d'entrée, régler le sélecteur DIRECT COUPLING/CONDENSER COUPLING sur la position CONDENSER COUPLING, régler le sélecteur d'enceintes sur la position ON et régler l'interrupteur général sur ON sans charge pendant plus de 8 minutes environ avant de procéder au réglage. Pour ajuster le canal gauche, brancher le positif (+) d'un ampèremètre à courant continu à la borne 13 de la plaquette à circuits imprimés d'amplification et le négatif (-) à la borne 14.

Pour ajuster le canal droit, brancher le positif (+) à la borne 15 et le négatif (-) à la borne 14. Effectuer le réglage respectivement avec R752L ou R752R pour obtenir une lecture égale à zéro (avec une tolérance de $\pm 0,5$ mV) et dans une marge de 3 mV. (Fig. 7)

● Réglage de sortie de courant continu

Ce réglage doit être fait après le réglage d'entrée à courant continu.

Introduire la fiche de couplage dans la prise d'entrée, régler le sélecteur DIRECT COUPLING/CONDENSER COUPLING sur la position CONDENSER COUPLING, régler le sélecteur d'enceintes sur la position ON et effectuer le réglage sans appliquer la charge.

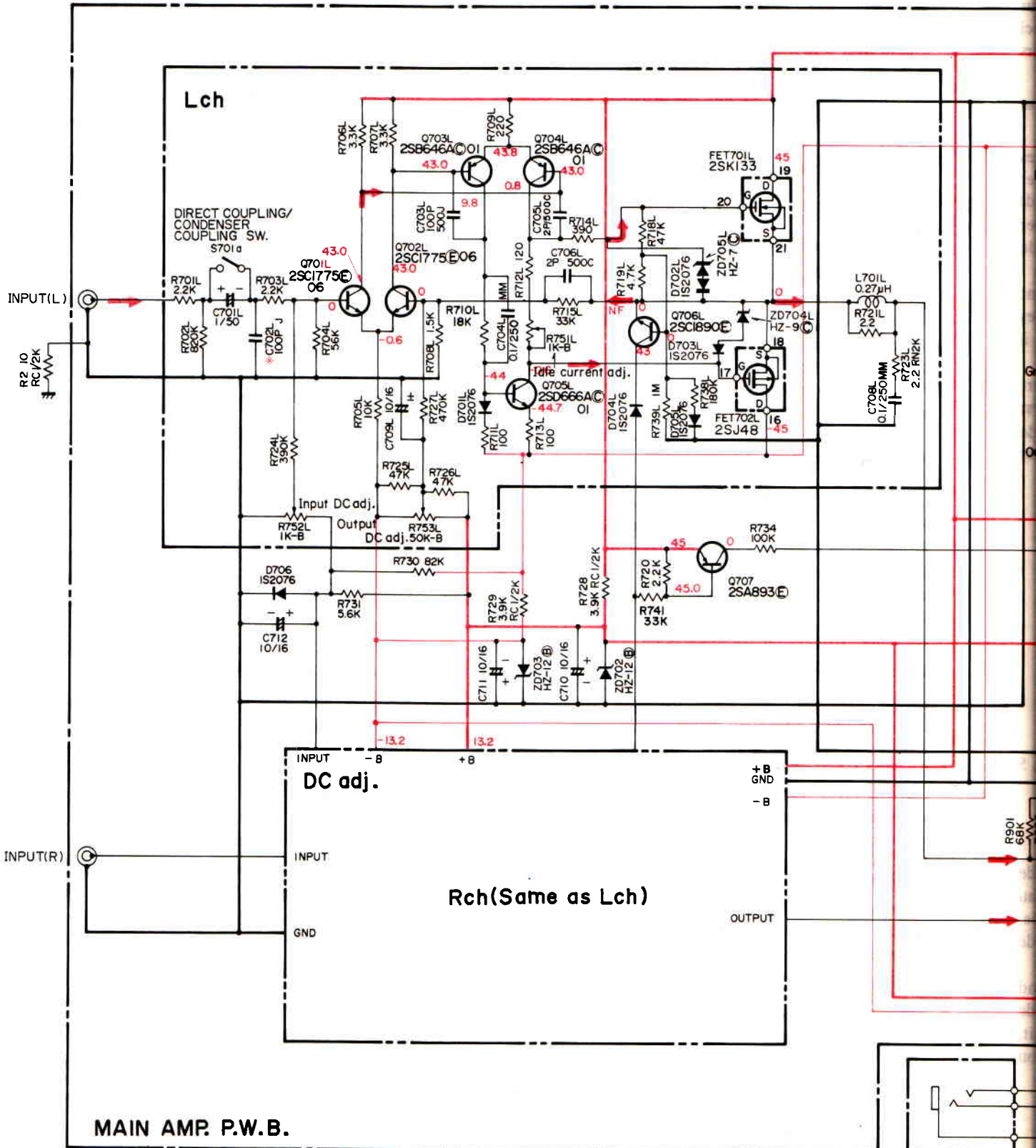
Effectuer le réglage avec R753L ou R753R après avoir branché l'ampèremètre à courant continu aux bornes positive (+) et négative (-) des canaux gauche et droit d'enceinte pour obtenir une lecture égale à zéro (avec une tolérance de $\pm 0,5$ mV) dans une marge de 100 mV. (Fig. 7)

● Réglage de compteur

(1) Réglage de sensibilité de compteur

Ajuster la sensibilité du compteur après avoir fait le réglage à zéro. Sans appliquer de charge aux bornes d'enceinte, brancher un générateur d'audiofréquences à la borne d'entrée (INPUT) pour fournir un signal de

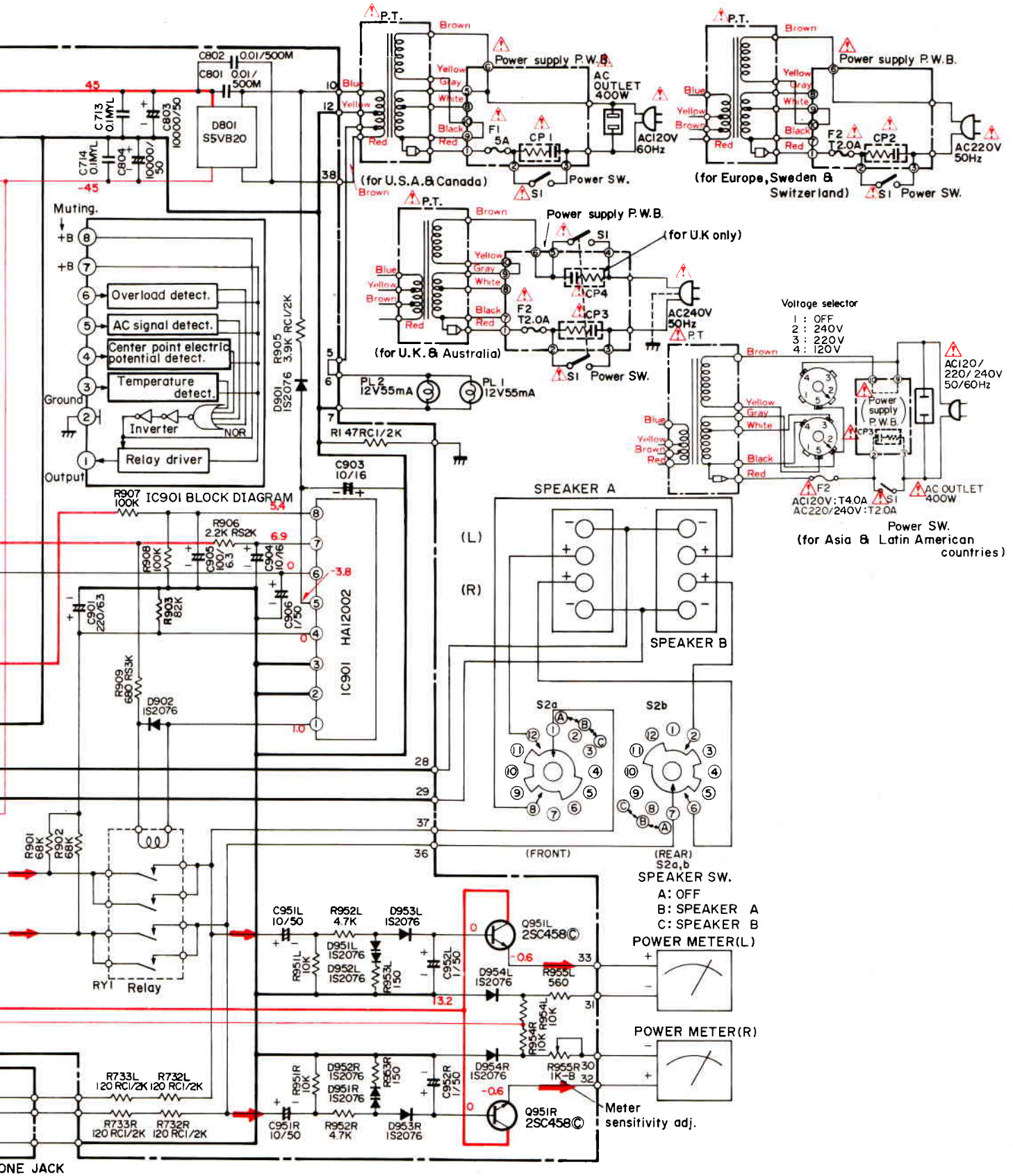
CIRCUIT DIAGRAM · SCHALTPLAN · PLAN DE CIRCUIT



MAIN AMP. P.W.B.

- * : Axial lead cylindrical ceramic capacitor
- * : Zylindrischer Keramikcondensator mit axialer zuleitung
- * : Condensateur céramique cylindrique à conducteur axial

PRODUCT SAFETY NOTE: Components marked with a Δ have special characteristics.
SICHERHEITSHINWEIS: Die mit Δ gekennzeichneten Komponenten haben wichtige Eigenschaften.
NOTICE DE SECURITE DE FABRICATION: Les composants qui sont accompagnés d'un Δ ont des caractéristiques spéciales.



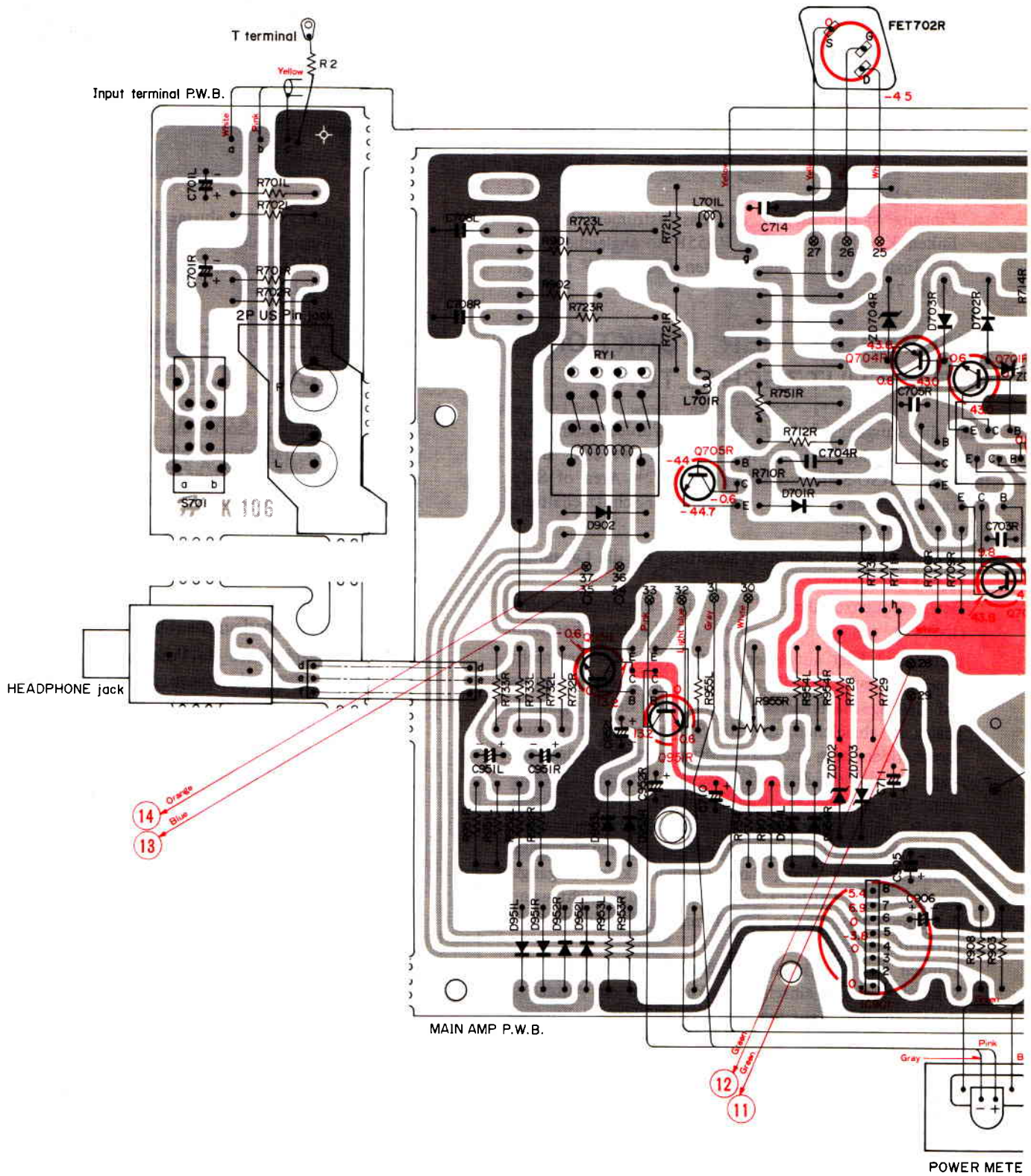
Characteristics important to safety.
 Wichtige Sicherheitsaufgaben.
 Caractéristiques importantes du symbole Δ possèdent des

The circuit diagram is subject to change for improvement without notice.
 Änderungen des Schaltplans im Sinne ständiger Verbesserung vorbehalten.
 Le schéma de montage est sujet à modification sans préavis, pour des raisons d'amélioration.

PRINTED WIRING BOARD · PRINTPLATTEN · PLAN DE BASE

[■ : +B,

MAIN AMP · HAUPTVERSTÄRKER · AMPLIFICATEUR PRINCIPAL

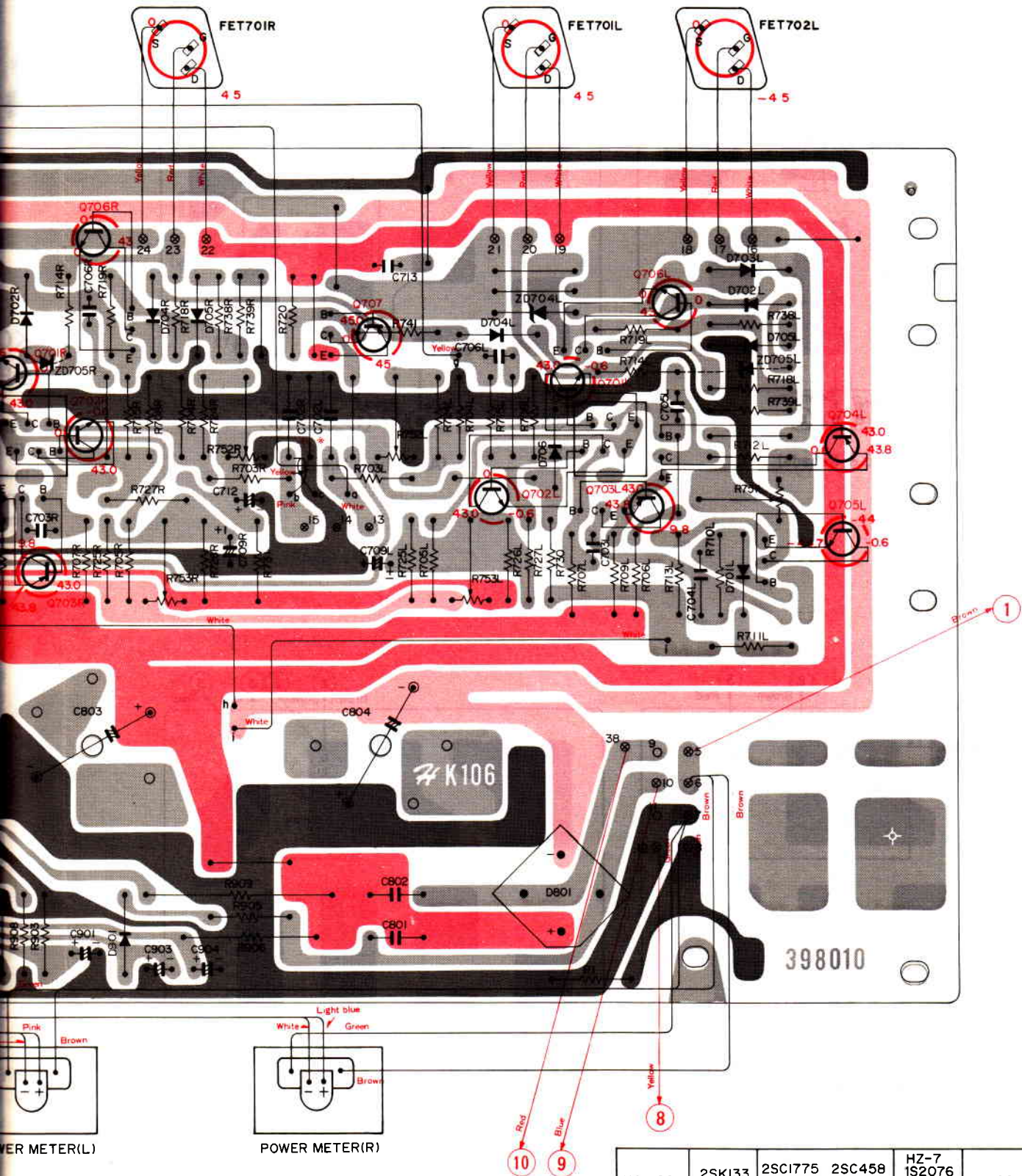


The terminal No. shows the stamp on the printed wiring board. This number matches the number in the circuit diagram.

Die Anschlussklemmen sind auf der gedruckten Schaltung nummeriert. Die Nummern stimmen mit den Nummern im Schaltplan überein.

■ : +B, ■ : -B, ■ : Earth, ■ : Other]

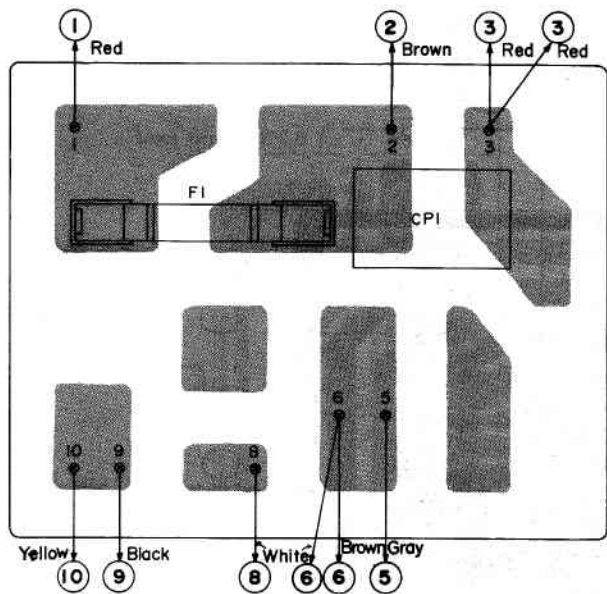
- * : Axial lead cylindrical ceramic capacitor
- * : Zylindrischer Keramik Kondensator mit axialer Zuleitung
- * : Condensateur céramique cylindrique à conducteur axial



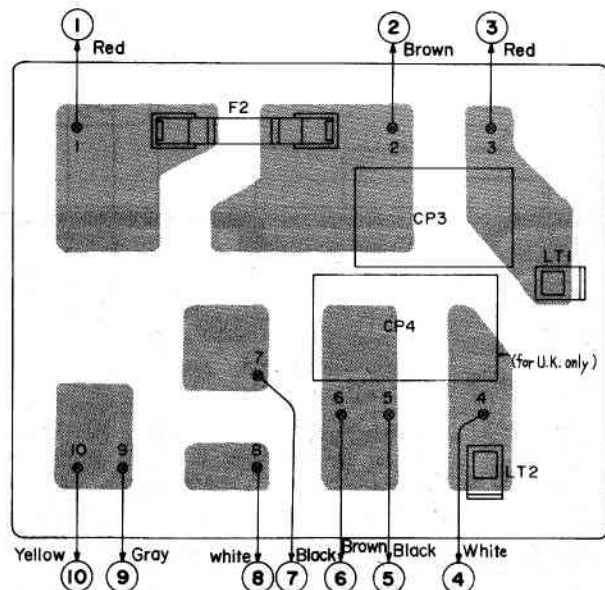
Le N° de borne correspond à l'indication de la plaquette à circuit imprimé. Ce numéro correspond au numéro du schéma de montage.

HAI2002	2SK133 2SJ48	2SC1775 2SB646A	2SC458 2SA893 2SD666A	2SC1890	HZ-7 1S2076 HZ-9 HZ-12	S5VB20

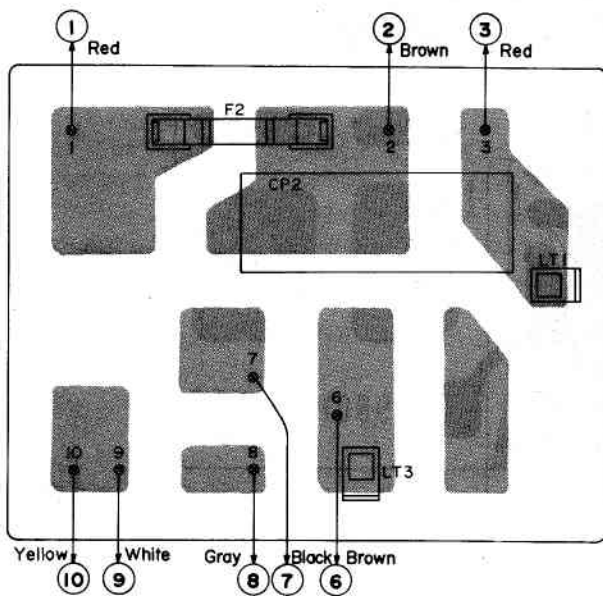
POWER SUPPLY · STROMQUELLE · ALIMENTATION



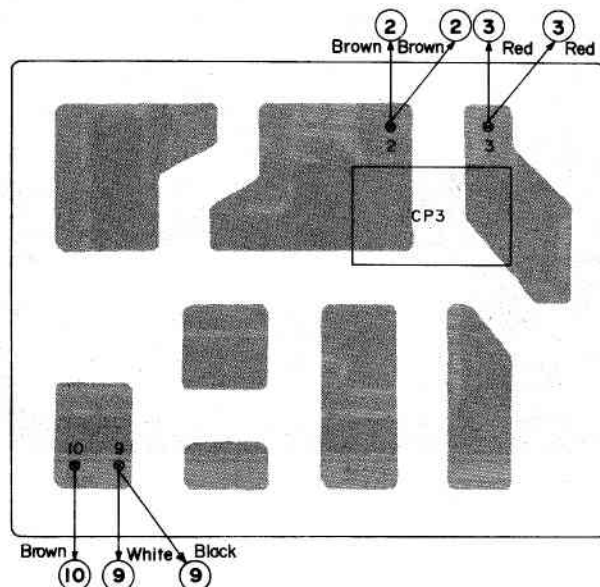
(U.S.A. & Canada)



(Australia & U.K.)



(France, W. Germany, Switzerland & Sweden)



(Asia & Latin American countries)

Deutsch

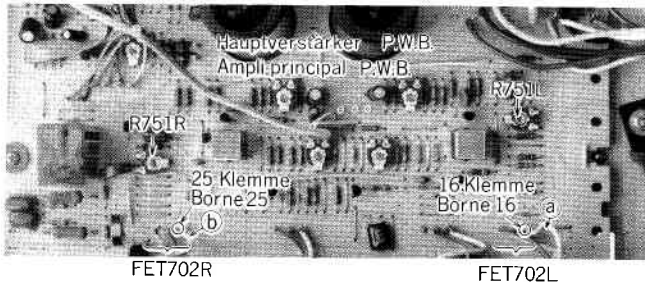


Abb. 6
Fig. 6

Eingang so einzustellen, daß das Instrument für den linken Kanal 1 W anzeigt. R955R so abgleichen, der das Instrument für den rechten Kanal 1 W anzeigt (Abb. 7).

KONTROLLE DER FUNKTION DER SCHUTZSCHALTUNG

Falls die Ausgangsschaltung repariert wurde, indem z.B. die Leistungs-MOS-FET usw. erneuert wurden, dann muß die ASO-Schutzschaltung (ASO = Area of Safe Operation) und die Lautsprecher-Schutzschaltung kontrolliert werden.

1 Funktionsprüfung der ASO-Schaltung für die Leistungs-MOS-FET

Den Frequenzoszillator an die Eingangsklemmen (INPUT) anschließen, wobei die Lautsprecherklemmen keine Last aufweisen dürfen (Lautsprecher nicht angeschlossen). Die Frequenz des Frequenzoszillators auf 1 kHz einstellen und den Pegel des Eingangssignales so abgleichen, daß die Spannung an den Lautsprecherklemmen etwa 5V (Mittelwert, bewertet) beträgt. In diesem Zustand sind die Lautsprecherklemmen kurzzuschließen, und zwar die Klemmen jenes Kanals, an welchen das Eingangssignal angelegt wurde. Falls dieser Kurzschluß zu einem Ansprechen der ASO-Schutzschaltung führt, dann erscheint kein Ausgangssignal an den Lautsprecherklemmen, auch nicht wenn den zum Kurzschließen der Klemmen verwendete Draht entfernt wird.

Danach den Netzschalter abschalten und nach etwa 10 Sekunden wieder einschalten. Wenn nun ein Ausgangssignal an den Lautsprecherklemmen festgestellt wird bedeutet dies, daß die ASO-Schutzschaltung richtig arbeitet.

2 Funktionsprüfung der Lautsprecher-Schutzschaltung

Darauf achten, daß etwa 4 Sekunden nach dem Einschalten des Netzschalters ein Schaltgeräusch des Relais vernommen werden kann, wenn keine Last an den Lautsprecherklemmen anliegt (Lautsprecher nicht angeschlossen).

Danach einen Widerstand mit etwa 10 kOhm und 2 Trockenbatterien (1,5V) in Serie mit der R902 auf der Schaltplatine und der Überbrückung ②1, wonach

Français

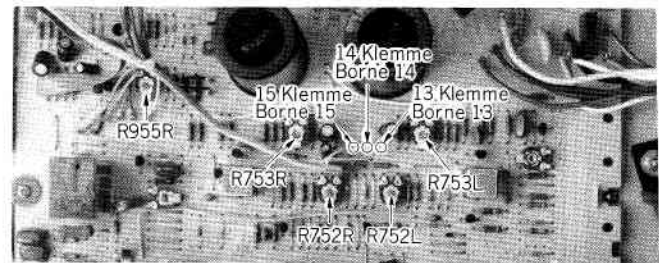


Abb. 7
Fig. 7

1 kHz. Dans ce cas, ajuster l'entrée de sorte que l'aiguille du canal gauche indique 1W.

Ajuster R955R pour que l'aiguille du canal droit indique 1W (Fig. 7).

CONTRÔLE DE FONCTIONNEMENT DU CIRCUIT DE PROTECTION

Quand le circuit de sortie est réparé à la suite du remplacement des transistors à effet de champ, etc, effectuer une vérification de fonctionnement du circuit de détection de type ASO et du circuit de protection de haut-parleur.

1 Contrôle de fonctionnement du circuit de détection de type ASO pour les transistors à effet de champ

Brancher un oscillateur d'onde sonore aux bornes d'entrée quand aucune charge n'est appliquée aux bornes de haut-parleur (haut-parleur débranché).

Régler la fréquence de l'oscillateur d'onde sonore à 1 kHz et ajuster le niveau du signal d'entrée de telle sorte que la tension appliquée aux bornes de haut-parleur soit environ de 5V efficace. Quand ces conditions sont obtenues, court-circuiter les bornes de haut-parleur du canal recevant le signal d'entrée en se servant d'un fil de jonction, etc. Si le court-circuit met le circuit de détection de type ASO en fonction, aucune sortie n'est relevée aux bornes de haut-parleur même si le fil de jonction utilisé pour le court-circuitage est retiré.

Ensuite, mettre l'interrupteur général à l'arrêt et après un délais approximatif de 10 secondes, le mettre à nouveau en fonction. Quand la sortie parvient aux bornes de haut-parleur, c'est le signe que le circuit de détection de type ASO fonctionne normalement.

2 Contrôle de fonctionnement du circuit de protection de haut-parleur

S'assurer que le relais fonctionne (un déclic se produit) environ 4 secondes après la mise en fonction de l'interrupteur général quand les bornes de haut-parleur ne reçoivent aucune charge (haut-parleur débranché). Ensuite, quand une résistance d'environ 10k-ohms d'impédance et 2 piles sèches (1,5V) sont branchées en série à R902 de la plaquette à circuit imprimé audio et le cavalier ②1, le relais se met hors fonction en moins

Deutsch

das Relais innerhalb einer Sekunde Abschalten sollte. Werden die Trockenbatterien wieder entfernt, dann arbeitet das Relais wiederum. Anschließend die Polarität der Trockenbatterien umpolen und die obige Prüfung des Relais nochmals durchführen. Wenn auch nun das Relais aktiviert wird, dann ist die Lautsprecher-Schutzschaltung in Ordnung. Bei dieser Prüfung ist besonders darauf zu achten, daß keine der benachbarten Teile kurzgeschlossen werden.

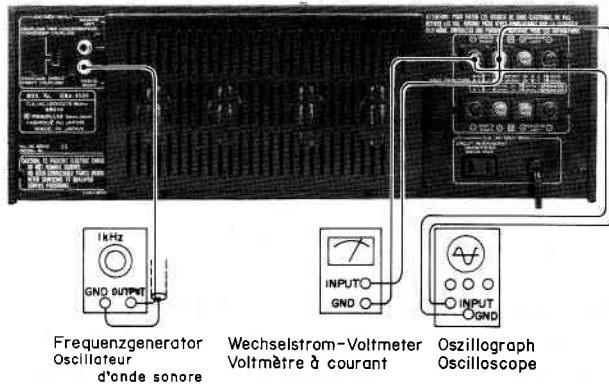


Abb. 8
Fig. 8

Prüfverfahren für Leistungs-MOS-FET

Den FET ausbauen. Im Falle eines N-Kanal Feldeffekttransistors ist es normal, daß ein Strom fließt, wenn die schwarze Prüfprobe des Prüfgerätes an den Drain des FET und die rote Prüfprobe (Ohm-Bereich) an die Source angelegt wird, nachdem die Schwarze Probe an das Gatter angelegt wurden. Wenn Sie danach gleichzeitig das Gatter und die Source mit Ihrer Hand reiben, wird der Stromfluß unterbrochen.

Im Falle eines P-Kanal Transistors müssen die rote und die schwarze Prüfprobe umgekehrt angelegt werden.

Français

d'une seconde. Quand les piles sèches sont retirés le relais se remet une nouvelle fois en fonction.

Ensuite, modifier les polarités des piles sèches et procéder au contrôle précédemment décrit pour s'assurer que le fonctionnement du relais est normal. Si ces conditions permettent au relais de se mettre en fonction, cela veut dire que le circuit de protection de haut-parleur fonctionne normalement. Par ailleurs, faire attention de ne pas court-circuiter les pièces et composants avoisinants au cours de ce contrôle.

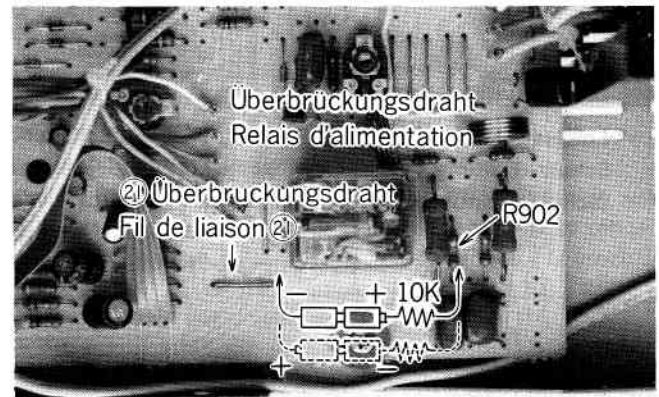


Abb. 9
Fig. 9

Procédé de contrôle du MOS FET d'alimentation

Déposer le transistor à effet de champ. Quand il s'agit d'un canal N FET, il est normal: qu'au moment de toucher avec la sonde de contrôle noire du contrôleur, le drain du FET et avec la sonde de contrôle rouge (gamme ohms) à la source en même temps et après avoir appliqué la sonde de contrôle noire à la porte et la sonde de contrôle, rouge à la source, qu'un courant passe. Ensuite, quand la porte et la source sont touchées en même temps avec les mains, le courant est interrompu.

S'il s'agit du canal P, les sondes de contrôle rouge et noire du contrôleur sont appliquées en position inverse.

3. Anschlußmöglichkeiten für zwei Paar Lautsprecher

An diesen Verstärker können zwei Lautsprecherpaare angeschlossen werden. Mit dem Lautsprecherschalter können die Paare einzeln eingeschaltet werden, und so können Sie die Klangreproduktion jedes Paares vergleichen. Selbstverständlich ist es auch möglich, die Lautsprecherpaare in verschiedenen Zimmern aufzustellen, um so die Wiedergabe zu hören.

4. Zuverlässige Schutzschaltung

Zum Schutz der POWER MOS FET-Leistungstufe sind eine Stromspiegelschaltung und eine Gleichspannungsnachweisschaltung eingebaut. Dieser Schaltkreis besitzt eine hohe Zuverlässigkeit bei auftretenden Störungen.

5. Große Leistungspegelmessер (Spitzenpegelmessер)

Dieses Modell ist mit großen Leistungspegelmessern ausgerüstet, die eine genaue Balance zwischen linkem und rechtem Kanal sowie eine Kontrolle des Ausgangspegels ermöglichen. Ihre Größe und Leistung sind so bemessen wie man es bei einem Verstärker mit POWER MOS FET-Leistungsendstufe der Spitzenklasse erwarten kann. Die Leistungspegelmessер sind mit einer logarithmischen Dynamikregelschaltung ausgestattet und zeigen den Effektivwert (RMS) des Spitzenpegels an. Dies bedeutet, daß sie Spitzenimpuls-signale präzise anzeigen und jederzeit direkt abgelesen werden können.

CARACTERISTIQUES

HITACHI a développé un condensateur à effet de champ (MOS FET) complémentaire qui se distingue par des caractéristiques superbes en tant que dispositif d'amplification de puissance pour des applications audio. Comme, à la fois, les caractéristiques canal-N et canal-P de ce POWER MOS FET sont d'une classe supérieure, ce modèle se distingue par une configuration simple d'un circuit 3-étages y compris l'étage d'amplification. Ceci constitue un dispositif qui permet d'obtenir un niveau de distorsion très bas tout le long d'une bande très large et qui est destiné à produire la meilleure ingénierie pour une qualité de son supérieure.

1. Une conception destinée à obtenir une faible distorsion tout le long d'une bande très large pour une qualité sonore supérieure

Le POWER MOS FET se caractérise par une impédance élevée d'entrée et constitue un dispositif d'entraînement de tension. Ces deux avantages permettent d'obtenir un gain de puissance très élevé et une configuration de circuit de conception simple. Voilà pourquoi le niveau de bruit parasite est réduit à son minimum ainsi que le glissement de phase, deux phénomènes qui exercent un effet nuisible sur la qualité sonore. Voilà pourquoi, aussi, il n'y a aucune détérioration en ce qui concerne le facteur de distorsion. En plus, la réponse en fréquence est excellente, la vitesse de commutation est rapide, et on est assuré d'un fonctionnement stable même dans le domaine des hautes fréquences avec une distorsion de cran réduite de façon remarquable. Cette conception permet d'obtenir un très bas facteur de distorsion tout le long d'une vaste bande avec un débit de puissance continu de 50 watts minimum par canal sous 8 ohms (20 Hz-20 kHz) avec une distorsion harmonique totale ne dépassant pas 0,02%.

2. Amplificateur à courant continu se caractérisant par une transmission de puissance en forme d'onde précise

Dans cet amplificateur à courant continu, les condensateurs ont été éliminés de la boucle NFB en même temps que ceux d'entrée, ce qui permet d'obtenir une remarquable amélioration des caractéristiques de phase dans le domaine des basses fréquences. Le premier étage utilise des transistors à faible bruit parasite et à résistance élevée à la tension, et se distingue par des caractéristiques d'accouplement très précises pour une réduction du niveau du glissement au point central.

En plus, il y a un commutateur de couplage direct/couplage par condensateur (DIRECT

COUPLING/CONDENSER COUPLING) qui est installé pour préserver les enceintes des dommages pouvant être provoqués par une fuite de courant continu d'un composant en provenance d'un appareil raccordé extérieurement (tel que l'amplificateur de contrôle).

3. Système de branchement pour deux paires d'enceintes

On peut relier deux paires d'enceintes à cet amplificateur et l'on peut comparer le son produit par chaque système en utilisant le commutateur d'enceintes.

Il est également possible d'écouter le son provenant d'un système d'enceintes dans une pièce et le son provenant de l'autre système dans une autre pièce.

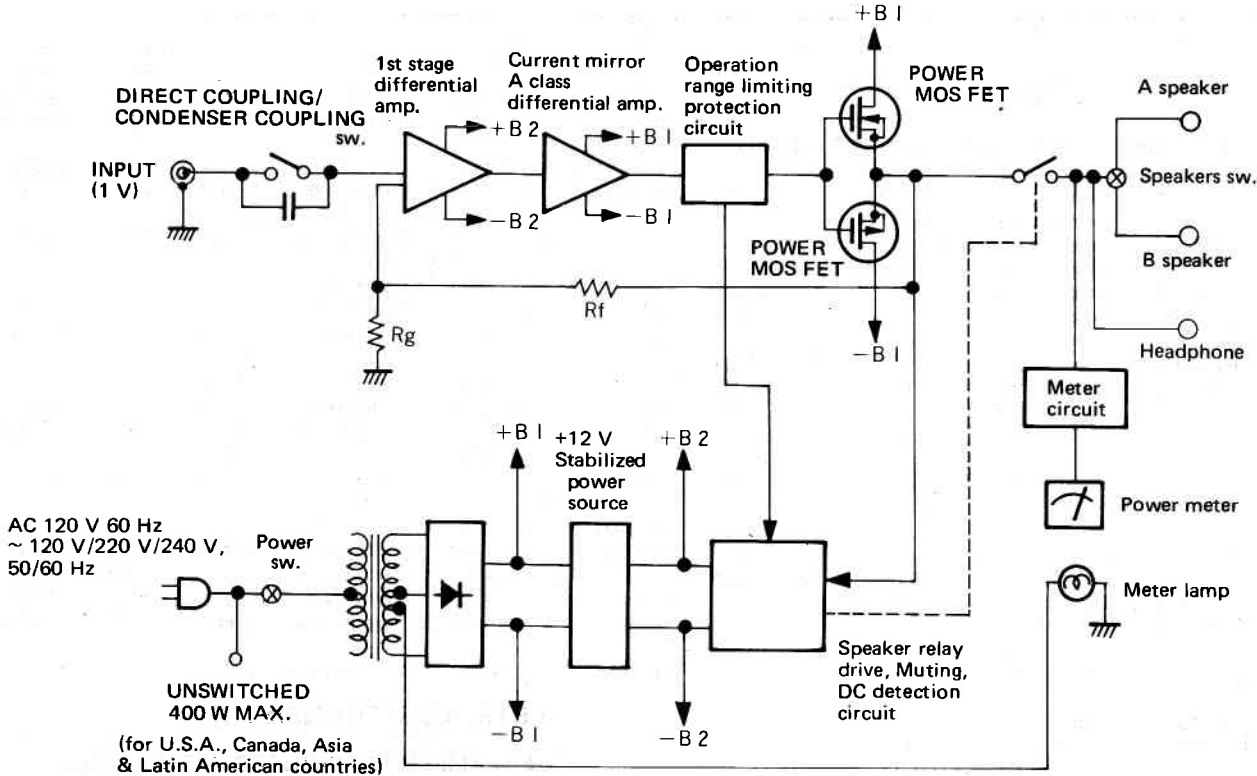
4. Circuit de protection à haute fiabilité

Dans le but de protéger efficacement le POWER MOS FET, un circuit à miroir courant qui permet de déterminer l'espace de fonctionnement de sécurité, et un circuit de détection de tension à courant continu, ont été installés. Ces circuits se caractérisent par un niveau de fiabilité élevé qui permet de protéger efficacement l'appareillage et de faire face aux incidents éventuels.

5. Indicateurs de puissance de grande dimension (indicateurs de crête)

L'appareil est équipé d'indicateurs de puissance de grande dimension qui permettent d'obtenir un équilibrage parfait entre les canaux gauche et droit et également de contrôler le niveau de sortie. Leurs tailles et leurs performances sont celles que vous êtes en droit d'attendre d'un amplificateur de POWER MOS FET. Les indicateurs de puissance utilisent un circuit de compression logarithmique pour les affichages de valeur efficace des crêtes détectées. Voici pourquoi ils peuvent indiquer les signaux de crête et rendre les valeurs affichées directement lisibles.

BLOCK DIAGRAM · BLOCK SCHEMA · SCHEMA



REPLACEMENT PARTS LIST · ERSATZTEILLISTE · TABLEAU DES PIECE

SYMBOL NO.	STOCK NO.	DESCRIPTION					SYMBOL NO.	STOCK NO.	DESCRIPTION		
CAPACITORS						R733(L,R)	H134362	Composition	120Ω	±10%	RC½GF
for MAIN AMPLIFIER PRINTED WIRING BOARD						R734	H114281	Carbon film	100kΩ	±5%	SRD¼P
C701(L,R)	1252811	Electrolytic	1μF		50V	R738(L,R)	H114287	Carbon film	180kΩ	±5%	SRD¼P
C702(L,R)	H230036	Ceramic, discal	100pF	±5%	50V	R739(L,R)	H114311	Carbon film	1MΩ	±5%	SRD¼P
C703(L,R)	0247854	Ceramic, discal	100pF	±5%	500V	R741	H114213	Carbon film	33kΩ	±5%	SRD¼P
C704(L,R)	0279211	Mylar, film	0.1μF	±10%	250V	R901	H114221	Carbon film	68kΩ	±5%	SRD¼P
C705(L,R)	0247802	Ceramic, discal	2pF	±0.25pF	500V	R902	H114221	Carbon film	68kΩ	±5%	SRD¼P
C706(L,R)	0247802	Ceramic, discal	2pF	±0.25pF	500V	R903	H114223	Carbon film	82kΩ	±5%	SRD¼P
C708(L,R)	0279211	Mylar, film	0.1μF	±10%	250V	R905	H134380	Composition	3.9kΩ	±10%	RC½GF
C709(L,R)	0257145	Electrolytic	10μF		16V	R906	1119545	Metal oxide	2.2kΩ	±10%	RS2PA
C710	1252521	Electrolytic	10μF		16V	R907	H114281	Composition	100kΩ	±5%	SRD¼P
C711	1252521	Electrolytic	10μF		16V	R908	H114281	Carbon film	100kΩ	±5%	SRD¼P
C712	1252521	Electrolytic	10μF		16V	R909	1119631	Metal oxide	680Ω	±10%	RS3PA
C713	1276011	Mylar, film	0.1μF	±10%	50V	R951(L,R)	H114201	Carbon film	10kΩ	±5%	SRD¼P
C714	1276011	Mylar, film	0.1μF	±10%	50V	R952(L,R)	H114177	Carbon film	4.7kΩ	±5%	SRD¼P
C801	0245408	Ceramic, discal	0.01μF	±20%	500V	R953(L,R)	H114135	Carbon film	150Ω	±5%	SRD¼P
C802	0245408	Ceramic, discal	0.01μF	±20%	500V	R954(L,R)	H114201	Carbon film	10kΩ	±5%	SRD¼P
C803	0259904	Electrolytic	10,000μF		50V	R955 L	H114149	Carbon film	560Ω	±5%	SRD¼P
C804	0259904	Electrolytic	10,000μF		50V	R1	0134297	Composition	47Ω	±10%	RC½GF
C901	1252232	Electrolytic	220μF		6.3V	FETS, ICs & TRANSISTORS					
C903	1252521	Electrolytic	10μF		16V	for MAIN AMPLIFIER PRINTED WIRING BOARD					
C904	1252521	Electrolytic	10μF		16V	IC901	2367372	HA12002			
C905	1252231	Electrolytic	100μF		6.3V	Q701(L,R)	2328672	2SC1775 (E) 06			
C906	1252811	Electrolytic	1μF		50V	Q702(L,R)	2328672	2SC1775 (E) 06			
C951(L,R)	1252821	Electrolytic	10μF		50V	Q703(L,R)	2328458	2SB646A (C) 01			
C952(L,R)	1252811	Electrolytic	1μF		50V	Q704(L,R)	2328458	2SB646A (C) 01			
RESISTORS						Q705(L,R)	2328448	2SD666A (C) 01			
for MAIN AMPLIFIER PRINTED WIRING BOARD						Q706(L,R)	2328483	2SC1890 (E)			
R701(L,R)	H114169	Carbon film	2.2kΩ	±5%	SRD¼P	Q707	2328493	2SA893 (E)			
R702(L,R)	H114303	Carbon film	820kΩ	±5%	SRD¼P	Q951(L,R)	2328282	2SC458 (C)			
R703(L,R)	H114169	Carbon film	2.2kΩ	±5%	SRD¼P	FET701 (L,R)	2328513	2SK133			
R704(L,R)	H114219	Carbon film	56kΩ	±5%	SRD¼P	FET702 (L,R)	2328523	2SJ48			
R705(L,R)	H114201	Carbon film	10kΩ	±5%	SRD¼P	DIODES					
R706(L,R)	H114173	Carbon film	3.3kΩ	±5%	SRD¼P	for MAIN AMPLIFIER PRINTED WIRING BOARD					
R707(L,R)	H114173	Carbon film	3.3kΩ	±5%	SRD¼P	D701(L,R)	2337011	1S2076			
R708(L,R)	H114165	Carbon film	1.5kΩ	±5%	SRD¼P	D702(L,R)	2337011	1S2076			
R709(L,R)	H114139	Carbon film	220Ω	±5%	SRD¼P	D703(L,R)	2337011	1S2076			
R710(L,R)	H114207	Carbon film	18kΩ	±5%	SRD¼P	D704(L,R)	2337011	1S2076			
R711(L,R)	H114131	Carbon film	100Ω	±5%	SRD¼P	D705(L,R)	2337011	1S2076			
R712(L,R)	H114133	Carbon film	120Ω	±5%	SRD¼P	D706(L,R)	2337011	1S2076			
R713(L,R)	H114131	Carbon film	100Ω	±5%	SRD¼P	D801	2337341	S5VB20			
R714(L,R)	H114145	Carbon film	390Ω	±5%	SRD¼P	D901	2337011	1S2076			
R715(L,R)	H114213	Carbon film	33kΩ	±5%	SRD¼P	D902	2337011	1S2076			
R718(L,R)	H114217	Carbon film	47kΩ	±5%	SRD¼P	D951(L,R)	2337011	1S2076			
R719(L,R)	H114177	Carbon film	4.7kΩ	±5%	SRD¼P	D952(L,R)	2337011	1S2076			
R720	H114169	Carbon film	2.2kΩ	±5%	SRD¼P	D953(L,R)	2337011	1S2076			
R721 (L,R)	H129509	Carbon film	2.2Ω	±5%	SRD¼P	D954(L,R)	2337011	1S2076			
R723(L,R)	1119135	Metal	2.2Ω	±10%	RN2B						
R724(L,R)	H114295	Carbon film	390kΩ	±5%	SRD¼P						
R725(L,R)	H114217	Carbon film	47kΩ	±5%	SRD¼P						
R726(L,R)	H114217	Carbon film	47kΩ	±5%	SRD¼P						
R727(L,R)	H114297	Carbon film	470kΩ	±5%	SRD¼P						
R728	H134380	Composition	3.9kΩ	±5%	RC½GF						
R729	H134380	Composition	3.9kΩ	±5%	RC½GF						
R730	H114223	Carbon film	82kΩ	±5%	SRD¼P						
R731	H114179	Carbon film	5.6kΩ	±5%	SRD¼P						
R732(L,R)	H134362	Composition	120Ω	±10%	RC½GF						

PRODUCT SAFETY NOTE: Components marked with a Δ have special characteristics important to safety.

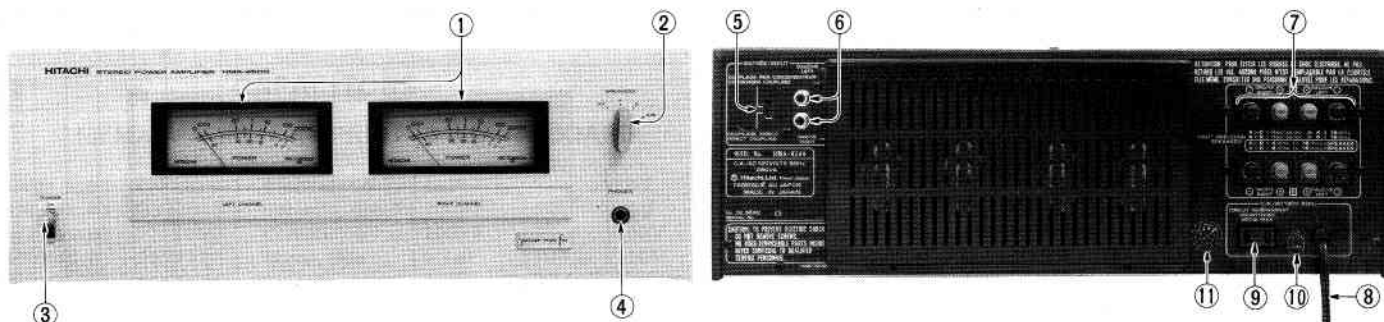
SICHERHEITSHINWEIS: Die mit Δ gekennzeichneten Komponenten haben wichtige Sicherheitsaufgaben.

NOTICE DE SECURITE DE FABRICATION: Les composants qui sont accompagnés du symbole Δ possèdent des caractéristiques spéciales.

SYMBOL NO.	STOCK NO.	DESCRIPTION								
ZD702	2337102	HZ - 12 $\text{\textcircled{B}}$								
ZD703	2337102	HZ - 12 $\text{\textcircled{B}}$								
ZD704(L,R)	2337527	HZ - 9 $\text{\textcircled{C}}$ - 1								
ZD705(L,R)	2337548	HZ - 7 $\text{\textcircled{C}}$ - 2								
VARIABLE RESISTORS										
for MAIN AMPLIFIER PRINTED WIRING BOARD										
R751(L,R)	0151282	1k Ω - (B)								
R752(L,R)	0151282	1k Ω - (B)								
R753(L,R)	0151225	50k Ω - (B)								
R955R	0151282	1k Ω - (B)								
COILS										
for MAIN AMPLIFIER PRINTED WIRING BOARD										
L701(L,R)	2227144	Audio trap coil								
MISCELLANEOUS										
RY1	2506952	Main amplifier P.W.B. ass'y $\text{\textcircled{13}}$								
S701	2647112	Miniature power relay								
	2627181	Switch - slide switch								
	2677491	Jack - headphone jack								
	2677481	2P US pin jack								
	2727161	Holder - lamp holder								
for DIAL MECHANISM ASSEMBLY										
	4784181	4 ϕ flanged nut								
	4567411	3 ϕ x 6DT bind screw (yellow) $\text{\textcircled{7}}$								
	4567451	3 ϕ x 6DT bind screw (silver) $\text{\textcircled{6}}$								
	4567432	3 ϕ x 8DT bind screw (black) $\text{\textcircled{11}}$								
	4784106	3 ϕ x 10 bind tapping screw $\text{\textcircled{9}}$								
	4567412	3 ϕ x 8 DT bind screw (yellow)								
	4567422	4 ϕ x 8 DT bind screw (black)								
	4567424	4 ϕ x 12 DT bind screw (yellow)								
	3927411	Leg								
	4790097	Washer (for P.W.B. fixing) $\text{\textcircled{12}}$								
	4790091	Washer (for Leg fixing)								
	2218861	Power transformer								
	2617872	Switch-rotary switch								
	2577412	Power meter								
	2657381	Socket-transistor socket								
for REAR PLATE ASSEMBLY										
	4567432	3 ϕ x 8DT bind screw (black) $\text{\textcircled{10}}$								
	2687853	4P screw terminal								
	4784106	3 ϕ x 10 bind tapping screw								
for FINAL ASSEMBLY										
	3245402	Escutcheon ass'y $\text{\textcircled{1}}$								
	3284992	Knob - lever knob								
	3285011	Knob - squarish knob								
	4403761	Cover $\text{\textcircled{3}}$								
	4567411	3 ϕ x 6DT bind screw (yellow) $\text{\textcircled{2}}$								
	4575431	3 ϕ x 6DT bind screw (black) $\text{\textcircled{4}}$								
	4575451	4 ϕ x 8DT bind screw (black)(L) $\text{\textcircled{5}}$								
	4567431	3 ϕ x 6DT bind screw (black) $\text{\textcircled{4}}$								
	4567442	4 ϕ x 8DT bind screw (black) $\text{\textcircled{5}}$								
	4567432	3 ϕ x 8DT bind screw $\text{\textcircled{8}}$								

SYMBOL NO.	STOCK NO.	DESCRIPTION	U.S.A. & Canada	France, W. Germany	Switzerland	Sweden	Australia	U.K.	Asia & Latin American countries
	2507531	Power supply P.W.B. $\text{\textcircled{14}}$	$\text{\textcircled{O}}$						
	2507532	Power supply P.W.B. $\text{\textcircled{14}}$		$\text{\textcircled{O}}$	$\text{\textcircled{O}}$	$\text{\textcircled{O}}$			
	2507533	Power supply P.W.B. $\text{\textcircled{14}}$					$\text{\textcircled{O}}$	$\text{\textcircled{O}}$	
	2507534	Power supply P.W.B. $\text{\textcircled{14}}$							$\text{\textcircled{O}}$
Δ CP1	0269019	Spark killer	$\text{\textcircled{O}}$						
Δ CP2	0214479	Spark killer		$\text{\textcircled{O}}$	$\text{\textcircled{O}}$	$\text{\textcircled{O}}$			
Δ CP3	0269014	Spark killer					$\text{\textcircled{O}}$	$\text{\textcircled{O}}$	$\text{\textcircled{O}}$
Δ CP4	0269014	Spark killer						$\text{\textcircled{O}}$	$\text{\textcircled{O}}$
Δ F1	2727547	Fuse-fuse (5A) UL	$\text{\textcircled{O}}$						
Δ F2	2727193	Fuse-fuse (T2A)		$\text{\textcircled{O}}$	$\text{\textcircled{O}}$	$\text{\textcircled{O}}$	$\text{\textcircled{O}}$	$\text{\textcircled{O}}$	$\text{\textcircled{O}}$
Δ S1	2627351	Switch-power switch	$\text{\textcircled{O}}$						
Δ S1	2627352	Switch-power switch		$\text{\textcircled{O}}$	$\text{\textcircled{O}}$	$\text{\textcircled{O}}$	$\text{\textcircled{O}}$	$\text{\textcircled{O}}$	$\text{\textcircled{O}}$
	0043793	Bushing (for AC line cord)	$\text{\textcircled{O}}$						
	3913001	Bushing (for AC line cord)		$\text{\textcircled{O}}$	$\text{\textcircled{O}}$				
	3715183	Bushing (for AC line cord)				$\text{\textcircled{O}}$		$\text{\textcircled{O}}$	
	3913006	Bushing (for AC line cord)							$\text{\textcircled{O}}$
	3715184	Bushing (for AC line cord)					$\text{\textcircled{O}}$		
Δ	2748861	AC line cord	$\text{\textcircled{O}}$						
Δ	2748751	AC line cord		$\text{\textcircled{O}}$					$\text{\textcircled{O}}$
Δ	2748741	AC line cord						$\text{\textcircled{O}}$	
Δ	2747302	AC line cord					$\text{\textcircled{O}}$		
Δ	2749131	AC line cord				$\text{\textcircled{O}}$			
Δ	2747771	AC line cord			$\text{\textcircled{O}}$				
Δ	2657281	AC outlet	$\text{\textcircled{O}}$						$\text{\textcircled{O}}$
Δ	3920381	Outlet cover		$\text{\textcircled{O}}$	$\text{\textcircled{O}}$	$\text{\textcircled{O}}$	$\text{\textcircled{O}}$	$\text{\textcircled{O}}$	
Δ	2627361	Voltage selector switch							$\text{\textcircled{O}}$
	2727121	Fuse holder							$\text{\textcircled{O}}$
	2657371	E socket adapter							$\text{\textcircled{O}}$
Δ	2727582	Fuse-fuse (T4A) (for ACCESSORY)							$\text{\textcircled{O}}$

**FRONT AND REAR PANEL · VORDERE UND HINTERE
BEDIENUNGSTAFEL · PANNEAUX AVANT ET ARRIERE**



- ① POWER meters
- ② SPEAKERS switch
- ③ POWER switch
- ④ PHONES jack
- ⑤ DIRECT COUPLING/CONDENSER COUPLING switch
- ⑥ INPUT terminals
- ⑦ SPEAKERS terminals
- ⑧ Power supply cord
- ⑨ AC outlet (for U.S.A., Canada, Asia & Latin American countries)
- ⑩ VOLTAGE SELECTOR (for Asia & Latin American countries)
- ⑪ FUSE (for Asia & Latin American countries)

- ① Leistungpegelmesser (POWER)
- ② Lautsprecherschalter (SPEAKERS)
- ③ Netzschalter (POWER)
- ④ Kopfhörerbuchse (PHONES)
- ⑤ Schalter für Direktkopplung/kapazitive Kopplung (DIRECT COUPLING/CONDENSER COUPLING)
- ⑥ Eingangsklemmen (INPUT)
- ⑦ Lautsprecherklemmen (SPEAKERS)
- ⑧ Netzkabel
- ⑨ Wechselstromausgang (für USA, Kanada, Asien und Lateinamerika)
- ⑩ Netzspannungswähler (VOLTAGE SELECTOR) (für Asien und Lateinamerika)
- ⑪ Sicherung (FUSE) (für Asien und Lateinamerika)

- ① Wattmètres (POWER)
- ② Commutateur d'enceintes (SPEAKERS)
- ③ Interrupteur secteur (POWER)
- ④ Prise de casque stéréophonique (PHONES)
- ⑤ Commutateur de couplage direct/couplage par condensateur (DIRECT COUPLING/CONDENSER COUPLING)
- ⑥ Bornes d'entrée (INPUT)
- ⑦ Bornes d'enceintes (SPEAKERS)
- ⑧ Cordon d'alimentation C.A.
- ⑨ Sortie C.A. (pour les U.S.A., le Canada, l'Asie et l'Amérique Latine)
- ⑩ Sélecteur de tension (VOLTAGE SELECTOR) (pour l'Asie et l'Amérique Latine)
- ⑪ Fusible (FUSE) (pour l'Asie et l'Amérique Latine)